

# Spot on Framer SR 85

## Narrow Beam | 28W

### Product Reference

Environment Indoor

Installation Semi Recess

### Construction & Materials

Housing Aluminium

Primary Lens PMMA

Primary Reflector -

Secondary Reflector -

Body Finish White,Black

Diffuser -

Antiglare Baffle -

### Thermal Management

Heat Sink Material Aluminium

Cooling Technique Passive Cooling

### Optical System

Beam Direction Adjustable

Tilt Yes

Swivel Yes

### Electrical System

Driven with Constant Current Driver

Input Voltage/Hz 220V- 240V/50-60Hz

Control Gear Included

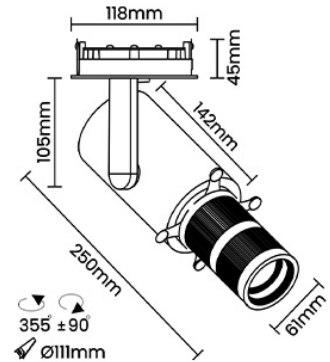
Mounting Remote

LED Power Watts 24.0W

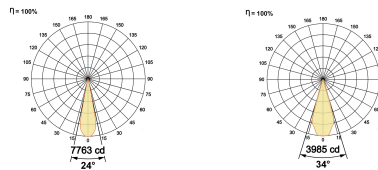
System Power Watts 27.6W

Operating Voltage Vin 220-240 Vac

Power Factor p.f. &gt; 0.95



### Light Distribution



### LED Technology

Binning 3 Step MacAdam

LED Life Time @ L80/B10 &gt;50000 hours

Colour Rendering (CRI) CRI80,CRI90

Led Type COB

LED Fitted Cree COB LED 36Vdc/700mA

### Controls

Standard Switchable On/Off

Optional PDIM,DDIM,Non Dimmable

### Ordering Details

Code Example:	Name	Watt	CCT	CRI	Angle	Finish	Control
	<b>Spot on Framer SR 85 Narrow Beam</b>	<b>28W</b>	<b>WW27K</b>	<b>CRI80</b>	<b>24°-34°</b>	<b>SWH</b>	<b>On/Off</b>

Select one from each column with highlighted values to create the ordering code

NAME	WATT	LUMEN	EFFICACY	CCT	CRI	ANGLE	FINISH	CONTROL
<b>Spot on Framer SR 85 Narrow Beam</b>	<b>28W</b>	1132	41	2700K	<b>WW27K</b>	<b>24°-34°</b>	White	Non Dimmable
		1159	42	3000K	<b>WW30K</b>		Black	Phase Dimmable
		1214	44	4000K	<b>NW40K</b>			Dali Dimmable
		1242	45	5700K	<b>CW57K</b>			
<b>Spot on Framer SR 85 Narrow Beam</b>	<b>28W</b>			<b>WW27K</b>	<b>CRI80</b>	<b>24°-34°</b>	<b>SWH</b>	<b>On/Off</b>