

Spot On Framer ITA 55 | 14W

Product Reference

Environment Indoor
 Installation Track Mounted

Construction & Materials

Housing Aluminium
 Primary Lens PMMA
 Primary Reflector -
 Secondary Reflector -
 Body Finish White,Black
 Diffuser -
 Antiglare Baffle -

Thermal Management

Heat Sink Material Aluminium
 Cooling Technique Passive Cooling

Optical System

Beam Direction Adjustable
 Tilt Yes
 Swivel Yes

Electrical System

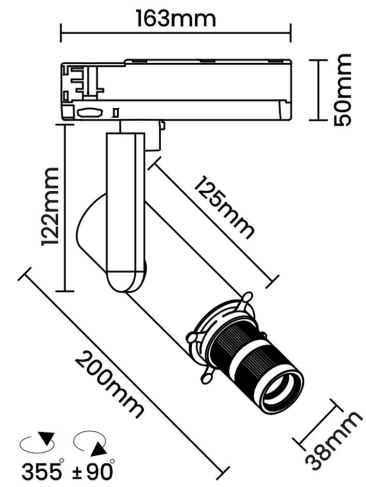
Driven with Constant Current Driver
 Input Voltage/Hz 220V- 240V/50-60Hz
 Control Gear Included
 Mounting Remote
 LED Power Watts 12.2W
 System Power Watts 14.0W
 Operating Voltage Vin 220-240 Vac
 Power Factor p.f. > 0.95

Ordering Details

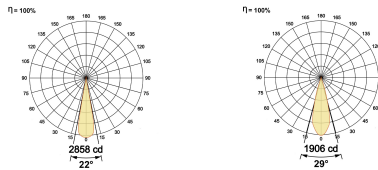
Code Example:	Name	Watt	CCT	CRI	Angle	Finish	Control
	Spot On Framer ITA 55	14W	WW27K	CRI80	22°-29°	SWH	On/Off

Select one from each column with highlighted values to create the ordering code

NAME	WATT	LUMEN	EFFICACY	CCT	CRI	ANGLE	FINISH	CONTROL
Spot On Framer ITA 55	14W	392	28	2700K WW27K	CRI80	22°-29°	White SWH	Non Dimmable On/Off
		406	29	3000K WW30K	CRI90		Black SBL	
		434	31	4000K NW40K				
		448	32	5700K CW57K				
Spot On Framer ITA 55	14W			WW27K	CRI80	22°-29°	SWH	On/Off



Light Distribution



LED Technology

Binning 3 Step MacAdam
 LED Life Time @ L80/B10 >50000 hours
 Colour Rendering (CRI) CRI80,CRI90
 Led Type COB
 LED Fitted Cree COB LED 36Vdc/350mA

Controls

Standard Switchable On/Off
 Optional Non Dimmable

Abby reserves the right to discontinue any product from its collection at any time whatsoever and without prior notice

www.abbylighting.com