

Spot On Framer 48V | 7.2W

Product Reference

Environment Indoor

Installation Track Mounted

Construction & Materials

Housing Aluminium

Primary Lens PMMA

Primary Reflector -

Secondary Reflector -

Body Finish White,Black

Diffuser -

Antiglare Baffle -

Thermal Management

Heat Sink Material Aluminium

Cooling Technique Passive Cooling

Optical System

Beam Direction Adjustable

Tilt Yes

Swivel Yes

Electrical System

Driven with Constant Voltage Driver

Input Voltage/Hz 48V

Control Gear Included

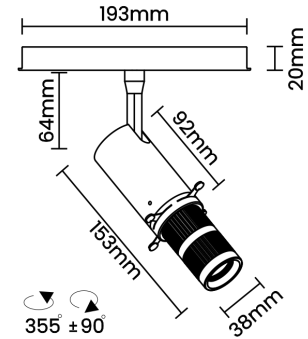
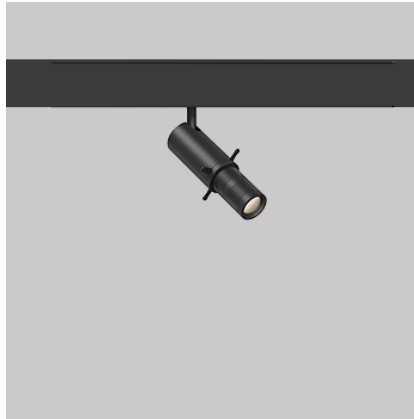
Mounting Remote

LED Power Watts 7.2W

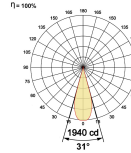
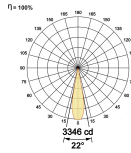
System Power Watts -

Operating Voltage Vin 48V

Power Factor p.f. -



Light Distribution



LED Technology

Binning 3 Step MacAdam

LED Life Time @ L80/B10 >50000 hours

Colour Rendering (CRI) CRI80,CRI90

Led Type COB

LED Fitted Cree COB LED 36Vdc/200mA

Controls

Standard Switchable On/Off

Optional DDIM,Non Dimmable

Ordering Details

Code Example:	Name	Watt	CCT	CRI	Angle	Finish	Control
	Spot On Framer 48V	7.2W	WW27K	CRI80	22°-31°	SWH	On/Off

Select one from each column with highlighted values to create the ordering code

NAME	WATT	LUMEN	EFFICACY	CCT	CRI	ANGLE	FINISH	CONTROL			
Spot On Framer 48V	7.2W	468	65	2700K	WW27K	22°-31°	White	SWH	Non Dimmable	On/Off	
		485	67	3000K	WW30K		CRI90	Black	SBL	Dali Dimmable	DDIM
		510	71	4000K	NW40K						
		519	72	5700K	CW57K						
Spot On Framer 48V	7.2W			WW27K	CRI80	22°-31°	SWH	On/Off			

Abby reserves the right to discontinue any product from its collection at any time whatsoever and without prior notice

www.abbylighting.com