

Circulo P 60 | 34W

Product Reference

Environment Indoor
Installation Ceiling Suspended

Construction & Materials

Housing Extruded and Sheet Aluminium
Primary Lens -
Primary Reflector White Optics
Secondary Reflector -
Body Finish White,Black,Custom
Diffuser Opal PC,Micropismatic
Antiglare Baffle -

Thermal Management

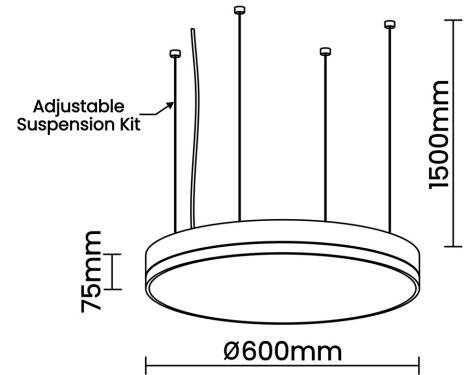
Heat Sink Material Aluminium
Cooling Technique Passive Cooling

Optical System

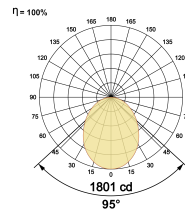
Beam Direction General Diffuse
Tilt No
Swivel No

Electrical System

Driven with Constant Current Driver
Input Voltage/Hz 220V- 240V/50-60Hz
Control Gear Included
Mounting Integral
LED Power Watts 29.1W
System Power Watts 33.4W
Operating Voltage Vin 220-240 Vac
Power Factor p.f. > 0.95



Light Distribution



LED Technology

Binning 3 Step MacAdam
LED Life Time @ L80/B10 >50000 hours
Colour Rendering (CRI) CRI80,CRI90
Led Type SMD mid power
LED Fitted Samsung Mid power LED array 43V-48Vdc/700mA

Controls

Standard Switchable On/Off
Optional DDIM,CASAMBI,Non Dimmable

Ordering Details

Code Example:	Name	Watt	CCT	CRI	Angle	Finish	Control
	Circulo P 60	34W	WW27K	CRI80	95°	SWH	On/Off

Select one from each column with highlighted values to create the ordering code

NAME	WATT	LUMEN	EFFICACY	CCT	CRI	ANGLE	FINISH	CONTROL
Circulo P 60	34W	4175	125	2700K	WW27K	95°	White	Non Dimmable
		4242	127	3000K	WW30K		Dali Dimmable	
		4342	130	4000K	NW40K		Casambi	
		4409	132	5700K	CW57K			
				2700K-5700K	TW			
Circulo P 60	34W			WW27K	CRI80	95°	SWH	on/off

