

Tiny FR | 8W

Product Reference

Environment Indoor

Installation Ceiling Recess

Construction & Materials

Housing Aluminium

Primary Lens Polycarbonate

Primary Reflector PC metallised

Secondary Reflector Anodised

Body Finish White,Black,Custom

Diffuser -

Antiglare Baffle -

Thermal Management

Heat Sink Material Die cast Aluminium

Cooling Technique Passive Cooling

Optical System

Beam Direction Fixed

Tilt No

Swivel No

Electrical System

Driven with Constant Current Driver

Input Voltage/Hz 220V- 240V/50-60Hz

Control Gear Included

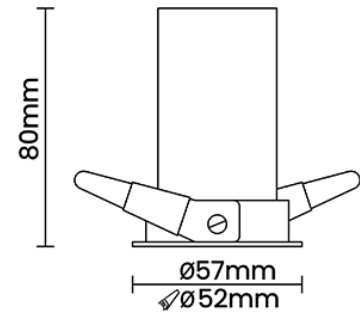
Mounting Remote

LED Power Watts 7.3W

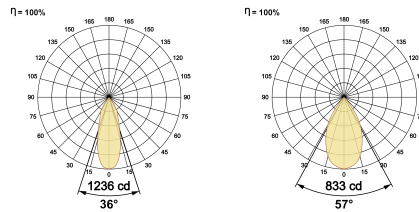
System Power Watts 8.4W

Operating Voltage Vin -

Power Factor p.f. > 0.95



Light Distribution



LED Technology

Binning 3 Step MacAdam

LED Life Time @ L80/B10 >50000 hours

Colour Rendering (CRI) CRI80,CRI90

Led Type COB

LED Fitted CREE COB LED 9Vdc/700mA

Controls

Standard Switchable On/Off

Optional PDIM,DDIM,BTTM,CASAMBI,Non Dimmable

Ordering Details

Code Example:	Name	Watt	CCT	CRI	Angle	Finish	Control
	Tiny FR	8W	WW27K	CRI80	36°(MD)	SWH	On/Off

Select one from each column with highlighted values to create the ordering code

NAME	WATT	LUMEN	EFFICACY	CCT	CRI	ANGLE	FINISH	CONTROL	
Tiny FR	8W	613	73	2700K	WW27K	CRI80	36°(MD)	White SWH	Non Dimmable On/Off
		630	75	3000K	WW30K	CRI90	57°(WD)	Black SBL	Phase Dimmable PDIM
		664	79	4000K	NW40K			Custom CSM	Dali Dimmable DDIM
		680	81	5700K	CW57K				Bluetooth Dimmable BTTM
				2700K-5700K	TW				Casambi CBTM
				Warm to Dim	W2D				
Tiny FR	8W			WW27K	CRI80	36°(MD)	SWH	On/Off	