

## Luke 35 | 5W

### Product Reference

Environment Indoor

Installation Ceiling Recess

### Construction & Materials

Housing Die Cast Aluminium

Primary Lens -

Primary Reflector PC metallised

Secondary Reflector -

Body Finish White,Black,Custom

Diffuser -

Antiglare Baffle -

### Thermal Management

Heat Sink Material Die cast Aluminium

Cooling Technique Passive Cooling

### Optical System

Beam Direction Adjustable

Tilt Yes

Swivel Yes

### Electrical System

Driven with Constant Current Driver

Input Voltage/Hz 220V- 240V/50-60Hz

Control Gear Included

Mounting Remote

LED Power Watts 3.4W

System Power Watts 4.2W

Operating Voltage Vin 220-240 Vac

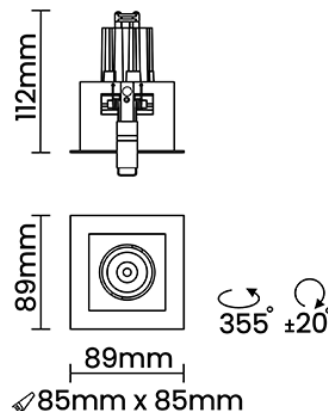
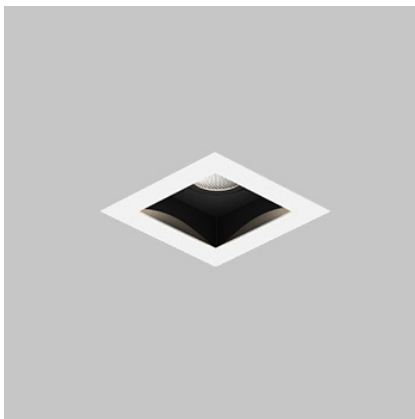
Power Factor p.f. &gt; 0.5

### Ordering Details

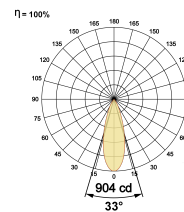
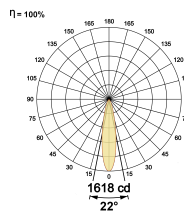
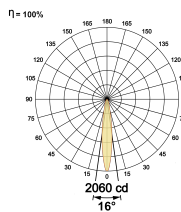
Code Example:	Name	Watt	CCT	CRI	Angle	Finish	Control
	<b>Luke 35</b>	<b>5W</b>	<b>WW27K</b>	<b>CRI80</b>	<b>16°(SS)</b>	<b>SWH</b>	<b>On/Off</b>

Select one from each column with highlighted values to create the ordering code

NAME	WATT	LUMEN	EFFICACY	CCT	CRI	ANGLE	FINISH	CONTROL	
<b>Luke 35</b>	<b>5W</b>	365	87	2700K	<b>WW27K</b>	<b>CRI80</b>	16°(SS)	White <b>SWH</b>	Non Dimmable <b>On/Off</b>
		391	93	3000K	<b>WW30K</b>	CRI90	22°(MD)	Black <b>SBL</b>	Phase Dimmable <b>PDIM</b>
		416	99	4000K	<b>NW40K</b>		33°(WD)	Custom <b>CSM</b>	Dali Dimmable <b>DDIM</b>
		424	101	5700K	<b>CW57K</b>				Casambi <b>CBTM</b>
<b>Luke 35</b>	<b>5W</b>			<b>WW27K</b>	<b>CRI80</b>	<b>16°(SS)</b>	<b>SWH</b>	<b>On/Off</b>	



### Light Distribution



### LED Technology

Binning 3 Step MacAdam

LED Life Time @ L80/B10 &gt;50000 hours

Colour Rendering (CRI) CRI80,CRI90

Led Type COB

LED Fitted CREE COB LED 9Vdc/350mA

### Controls

Standard Switchable On/Off

Optional PDIM,DDIM,CASAMBI,Non Dimmable