

# TownSquare P 90 | 80W

## Product Reference

Environment Indoor  
Installation Ceiling Suspended

## Construction & Materials

Housing Extruded and Sheet Aluminium  
Primary Lens -  
Primary Reflector White Optics  
Secondary Reflector -  
Body Finish White,Black,Custom  
Diffuser Opal PC,Micropismatic  
Antiglare Baffle -

## Thermal Management

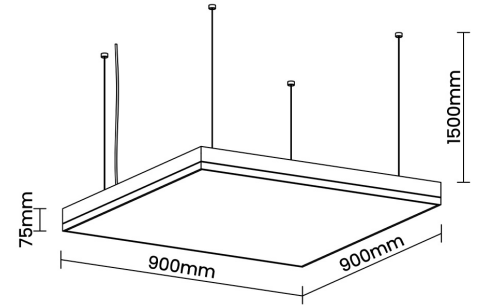
Heat Sink Material Aluminium  
Cooling Technique Passive Cooling

## Optical System

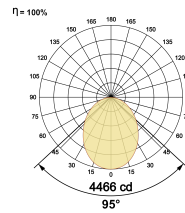
Beam Direction General Diffuse  
Tilt No  
Swivel No

## Electrical System

Driven with Constant Current Driver  
Input Voltage/Hz 220V- 240V/50-60Hz  
Control Gear Included  
Mounting Integral  
LED Power Watts 68.5W  
System Power Watts 78.7W  
Operating Voltage Vin 220-240 Vac  
Power Factor p.f. > 0.95



## Light Distribution



## LED Technology

Binning 3 Step MacAdam  
LED Life Time @ L80/B10 >50000 hours  
Colour Rendering (CRI) CRI80,CRI90  
Led Type SMD mid power  
LED Fitted Samsung Mid power LED array 42V-48Vdc/1550mA

## Controls

Standard Switchable On/Off  
Optional DDIM,CASAMBI,Non Dimmable

## Ordering Details

Code Example:	Name	Watt	CCT	CRI	Angle	Finish	Control
	TownSquare P 90	80W	WW27K	CRI80	95°	SWH	On/Off

Select one from each column with highlighted values to create the ordering code

NAME	WATT	LUMEN	EFFICACY	CCT	CRI	ANGLE	FINISH	CONTROL
TownSquare P 90	80W	9838	125	2700K	WW27K	95°	White	Non Dimmable
		10152	129	3000K	WW30K		Black	Dali Dimmable
		10782	137	4000K	NW40K		Custom	Casambi
		11018	140	5700K	CW57K			
				2700K-5700K	TW			
TownSquare P 90	80W			WW27K	CRI80	95°	SWH	On/Off

