

Spotboy Pro ITA 50 WW | 15W

Product Reference

Environment Indoor
 Installation Track Mounted

Construction & Materials

Housing Aluminium
 Primary Lens PMMA
 Primary Reflector -
 Secondary Reflector -
 Body Finish White,Black
 Diffuser -
 Antiglare Baffle -

Thermal Management

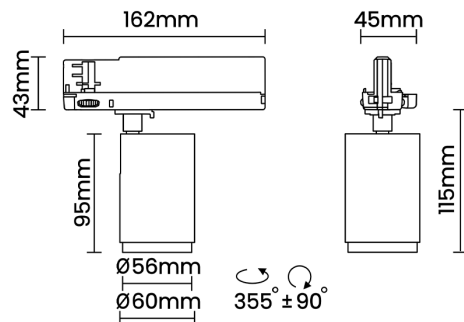
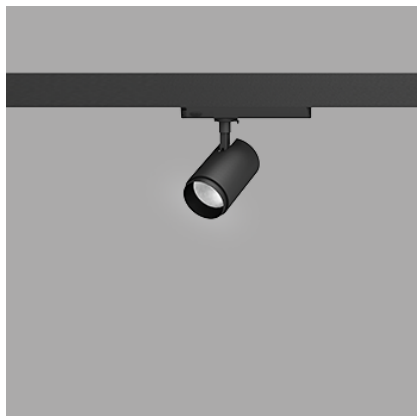
Heat Sink Material Die cast Aluminium
 Cooling Technique Passive Cooling

Optical System

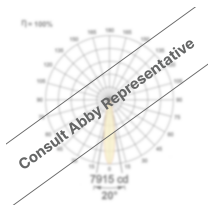
Beam Direction Adjustable
 Tilt Yes
 Swivel Yes

Electrical System

Driven with Constant Current Driver
 Input Voltage/Hz 220V- 240V/50-60Hz
 Control Gear Included
 Mounting Integral
 LED Power Watts 12.6W
 System Power Watts 14.5W
 Operating Voltage Vin 220-240 Vac
 Power Factor p.f. > 0.95



Light Distribution



LED Technology

Binning 3 Step MacAdam
 LED Life Time @ L80/B10 >50000 hours
 Colour Rendering (CRI) CRI90
 Led Type COB
 LED Fitted Cree COB LED 33V-36Vdc/350mA

Controls

Standard Switchable On/Off
 Optional Non Dimmable

Ordering Details

Code Example:	Name	Watt	CCT	CRI	Angle	Finish	Control
	Spotboy Pro ITA 50 WW	15W	NW40K	CRI90	Wallwash (WW)	SWH	On/Off

Select one from each column with highlighted values to create the ordering code

NAME	WATT	LUMEN	EFFICACY	CCT	CRI	ANGLE	FINISH	CONTROL
Spotboy Pro ITA 50 WW	15W	1450	100	4000K NW40K	CRI90	Wallwash (WW)	White SWH Black SBL	Non Dimmable On/Off
Spotboy Pro ITA 50 WW	15W			NW40K	CRI90	Wallwash (WW)	SWH	On/Off